

W15IK7T-PMA2

15.6" Intel® Core™ i3/i5/i7 (Kaby Lake) Panel Mount Panel PC



KEY FEATURES

- 15.6" 1366 x 768 Resolution
- Intel® 7th Generation Core™ i3/i5/i7 processor (Kaby Lake)
- Flexible storage devices, one 2.5-inch HDD and one SSD
- Multiple I/Os, Two Serial Ports and Four USB 3.0 Ports 12V DC Power input
- DP Support 4096x2304@60Hz
- HDMI (Optional) Support 4096x2304@24Hz

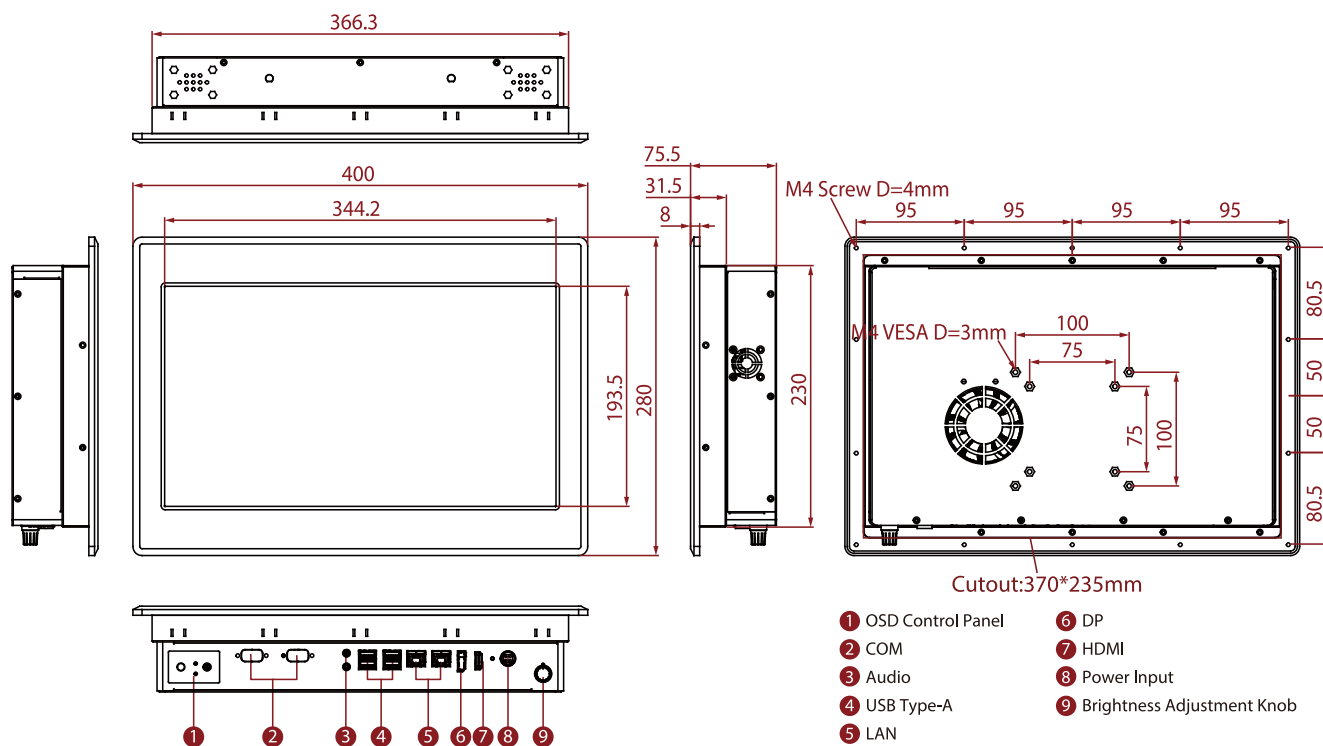


SPECIFICATIONS

Display			
Resolution	1366X768	Size	15.6 inches
Contrast Ratio	500:1	Panel Brightness	400 nits
View Angles	85,85,80,80	Active Area	344.232x195.536 mm
Touch / Glass	Resistive Touch Screen Protection Glass w/o Touch Function (Optional)		
System Specification			
Processor	Intel® Core™ i7-7700T (8M Cache, 2.9 GHz up to 3.80 GHz) Intel® Core™ i5-7500T (6M Cache, 2.7GHz up to 3.30 GHz) Intel® Core™ i3-7100T (4M Cache, 3.34 GHz)	Chipset	Intel® H170
Memory	1 x SO-DIMM, DDR4 2400 MHz, 4GB 8GB (Optional) 16GB (Optional) 2 x SO-DIMM, up to 32GB (Optional)	Storage	1 x M.2 2242 B-key SSD 64GB. M.2 2242 B-key SSD Up to 512GB. (Optional) 1 x 2.5" SSD / HDD (Optional) 2 x SATA III support RAID 0,1 (Optional)
Ethernet controller	Intel® Ethernet Controller I211-AT + Intel® Ethernet Connection I219-LM	Security	TPM 2.0
Operating System	Windows 10 IoT Enterprise (Optional) Linux Ubuntu 18.04 (Optional) Linux Ubuntu 20.04 (Optional)	WLAN	Support (Optional)
BT	Support (Optional)		
Mechanical			
Dimension	400 x 280 x 70 mm	Mounting	Panel mount VESA Mount
Enclosure	Metal Housing	Cooling System	Fan design
Cut out	368.5x232mm		
Environment			
Operating Humidity	10% to 90% (non-condensing)	Operating Temperature	0~50°C
Storage Temperature	-10~60°C		
Certification			
Certification	CE, FCC		
IO Ports			

Power Input	1 x 12V DC, Din4 pin connector	USB Port	4 x USB3.2 Gen.1 (Type-A)
Serial Port	1 x RS232/422/485 (Default RS232) 1 x RS232	Video	1 x DP1.2 1 x HDMI 1.4 (Optional)
Audio	1 x Mic in 1 x Line out 2 x Speaker	Expansion Port	2 x M.2 slot(1 for WiFi, 1 for SSD) 1 x PCIe x 16 (Optional)
LAN	2 x Giga LAN RJ45 Connector	Indicator	1 x LED Indicator for power 1 x LED Indicator for storage
Brightness Knob	1 x Brightness Adjustment Knob		
Control			
Button	1 x Power Button 1 x Reset Button		
Accessory			
Accessory	100~240V AC to DC Adapter Power Cord VESA screws Manual Mounting clips		
Power			
Power Rating	12V DC (Lockable Power Jack)	Adapter	12V 120W

DIMENSIONS UNIT:MM



NOTE

1. This is a simplified drawing and some components are not marked in detail.
2. Please contact our sales representative if you need further product information.
3. All specifications are subject to change without prior notice.
4. The product shown in this datasheet is a standard model. For diagrams that contain customized or optional I/O, please contact the Winmate Sales Team for more information.