

W15L100-OFA2HB

15.6" Open Frame High Brightness LCD touch display



KEY FEATURES

- 15.6", 1366 x 768, Open Frame High Brightness LCD touch display
- VGA and HDMI input
- Open frame
- VESA mount
- Open frame high brightness

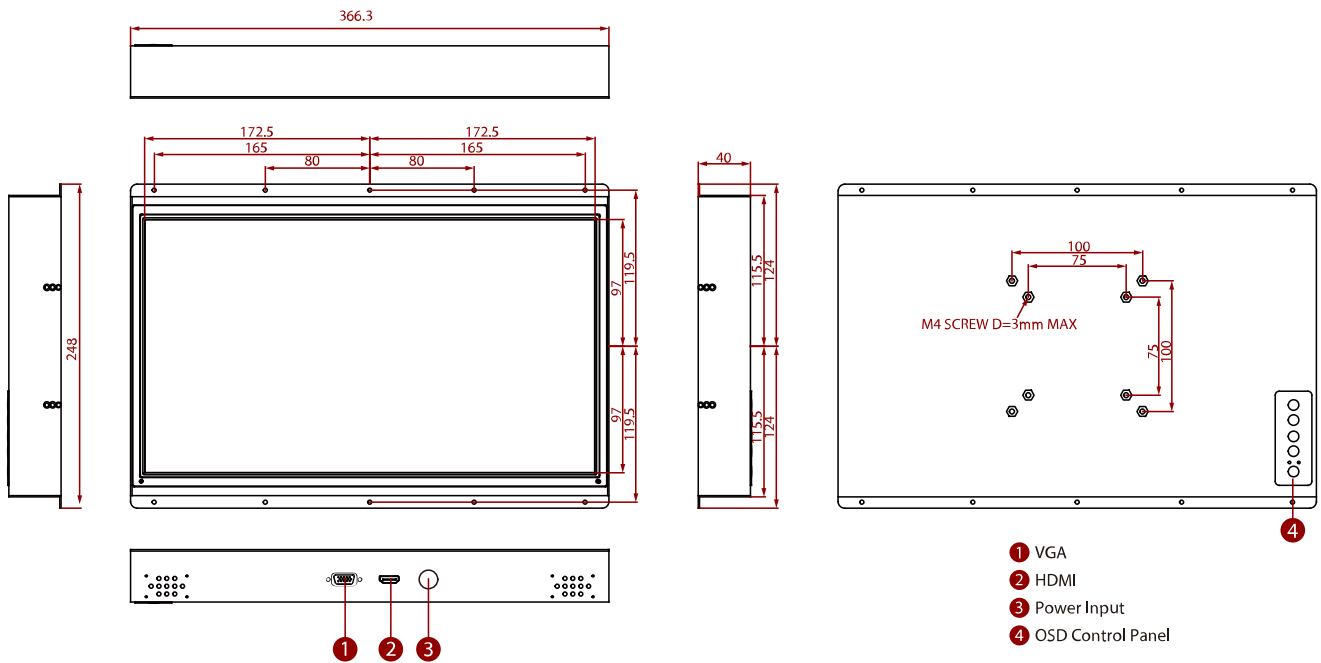


SPECIFICATIONS

Display	
Resolution	1366X768
Contrast Ratio	500:1
Display Color	16.7M Colors
Active Area	344.232x195.536 mm
Size	15.6 inches
Panel Brightness	1300 nits
View Angles	85,85,80,80
Touch / Glass	Resistive Touch Screen (Optional) Protection Glass w/o Touch Function (Optional) SAW Touch (Surface Acoustic Wave) (Optional)
Environment	
Operating Humidity	10% to 90% (non-condensing)
Storage Temperature	-10~60°C
Operating Temperature	0~50°C
Certification	
Certification	CE, FCC
IO Ports	
USB Port	1 x USB for Touch Screen
Video	1 x VGA 1 x HDMI (Optional) 1 x DVI (Optional)
Audio	Audio line in (3.5mm) + 2 x Speaker (Optional)
Mechanical	
Dimension	366.3 x 248 x 40 mm
Enclosure	Metal
Mounting	VESA Mount/ Panel Mount
Cooling System	Fanless Design
Accessory	
Accessory	1 x VGA cable 1 x HDMI cable 100~240V AC to DC Adapter Power Cord Manual VESA screws(Varies by product)
Optional Accessory	Remote Controller (Optional,Varies by product)
Power	
Power Rating	12V DC input
Control	
Button	5 Keys: -, +, Power, Esc, Enter

DIMENSIONS UNIT:MM

Winmate W15L100-OFA2HB



NOTE

1. This is a simplified drawing and some components are not marked in detail.
2. Please contact our sales representative if you need further product information.
3. All specifications are subject to change without prior notice.
4. The product shown in this datasheet is a standard model. For diagrams that contain customized or optional I/O, please contact the Winmate Sales Team for more information.