

W18L100-PTA2-C

18.5" USB Type-C Chassis Display



KEY FEATURES

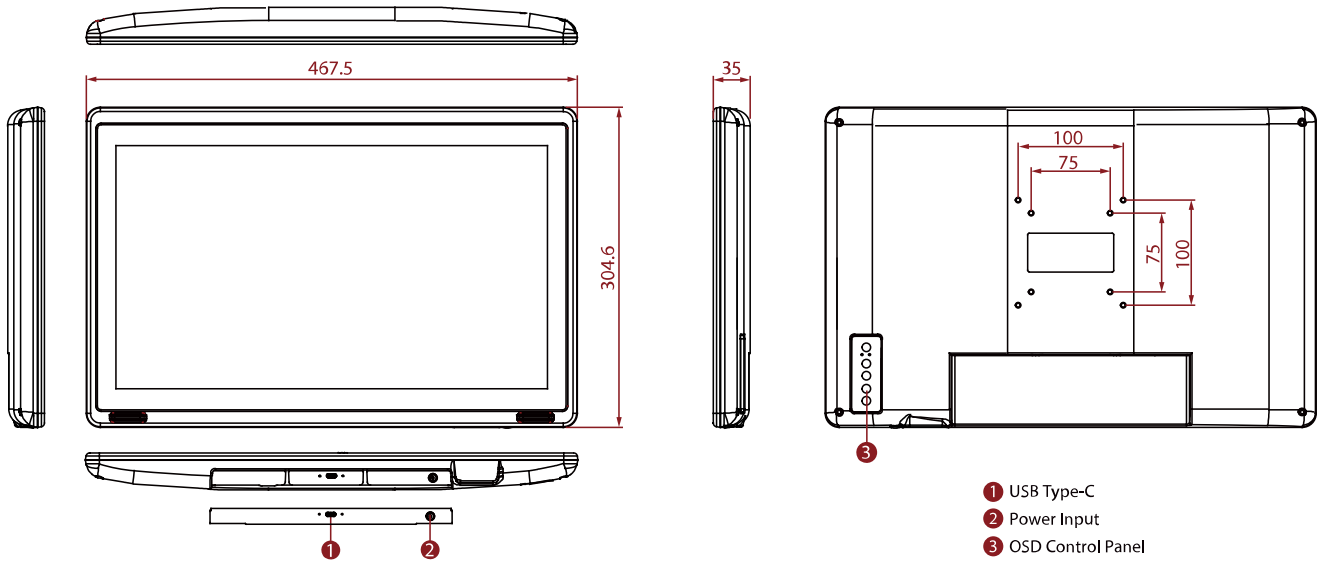
- 18.5", 1366 x 768
- USB Type-C connector
- Chassis
- VESA mount
- PCAP touch
- Front IP65



SPECIFICATIONS

Display			
Resolution	1366x768	Size	18.5 inches
Contrast Ratio	1000:1	Panel Brightness	450 nits
Display Color	16.7M Colors	View Angles	85,85,80,80
Active Area	409.8X230.4 mm	Touch / Glass	Projected Capacitive Multi Touch Screen Protection Glass (Optional)
Environment			
Operating Humidity	10% to 90% (non-condensing)	Operating Temperature	0~50°C
Storage Temperature	-10~60°C		
Certification			
Certification	CE, FCC		
IO Ports			
USB Port	1 x USB Type-C Connector	Audio	2 x Speaker (Optional)
Mechanical			
Dimension	467.5 x 304.6 x 35 mm	Mounting	VESA Mount
Enclosure	Plastic	Cooling System	Fanless Design
Accessory			
Accessory	User Manual	Optional Accessory	Lockable USB-C to Standard USB-C Cable (Optional) Waterproof USB-C to Standard USB-C Cable (Optional) Dual-side Lockable USB Type-C Cable (Optional)
Power			
Power Rating	12V DC input		
Control			
Button	5 Keys: -, +, Power, Esc, Enter		

DIMENSIONS UNIT:MM



NOTE

1. This is a simplified drawing and some components are not marked in detail.
2. The product shown in this datasheet is a standard model. For diagrams that contain customized or optional I/O, please contact the Winmate Sales Team for more information.
3. All specifications are subject to change without prior notice.