

W22IK7T-PMA3

21.5" Intel® Core™ i3/i5/i7 (Kaby Lake) industrial panel pc



KEY FEATURES

- 21.5" 1920 x 1080 Resolution
- Intel®7th Generation Core™ i3/i5/i7 processor (Kaby Lake) industrial panel pc
- Flexible storage devices, one 2.5-inch HDD and one SSD
- Multiple I/Os, 2 x Serial Ports, 4 x USB 3.0 Ports
- 12 V DC Power input
- DP Support 4096 x 2304 @ 60 Hz
- HDMI Support 4096 x 2304 @ 24 Hz

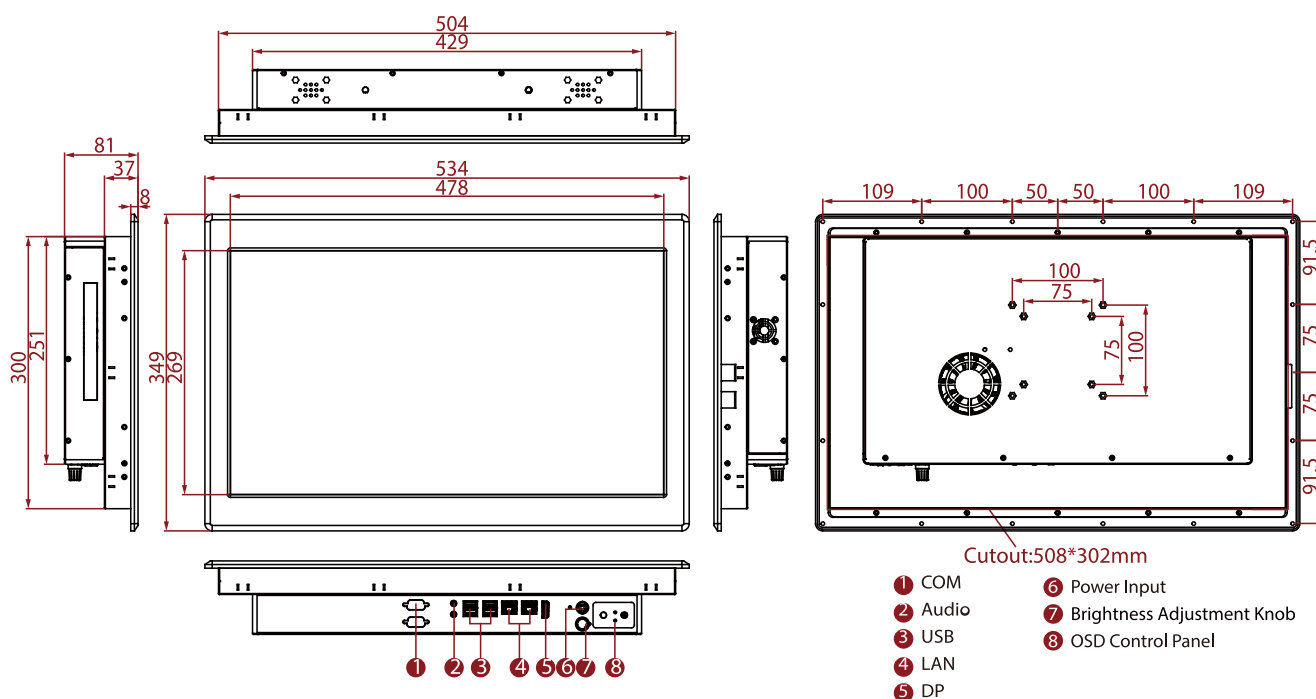


SPECIFICATIONS

Display	
Resolution	1920x1080
Contrast Ratio	3000:1
View Angles	89,89,89,89
Touch / Glass	Resistive Touch Screen Protection Glass w/o Touch Function (Optional)
Size	21.5 inches
Panel Brightness	250 nits
Active Area	476.64x268.11 mm
System Specification	
Processor	Intel® Core™ i7-7700T (8M Cache, 2.9 GHz up to 3.80 GHz) Intel® Core™ i5-7500T (6M Cache, 2.7GHz up to 3.30 GHz) Intel® Core™ i3-7100T (4M Cache, 3.34 GHz)
Chipset	Intel® H170
Memory	1 x SO-DIMM, DDR4 2400 MHz, 4GB 8GB (Optional) 16GB (Optional) 2 x SO-DIMM, up to 32GB (Optional)
Storage	1 x M.2 2242 B-key SSD 64GB. M.2 2242 B-key SSD Up to 512GB. (Optional) 1 x 2.5" SSD / HDD (Optional) 2 x SATA III support RAID 0,1 (Optional)
Ethernet controller	Intel® Ethernet Controller I211-AT + Intel® Ethernet Connection I219-LM
Security	TPM 2.0
Operating System	Windows 10 IoT Enterprise (Optional) Linux Ubuntu 18.04 (Optional) Linux Ubuntu 20.04 (Optional)
WLAN	Support (Optional)
BT	Support (Optional)
Mechanical	
Dimension	534 x 349 x 81 mm
Mounting	Panel mount VESA Mount
Enclosure	Metal Housing
Cooling System	Fan design
Cut out	506x302mm
Environment	
Operating Humidity	10% to 90% (non-condensing)
Operating Temperature	0~50°C
Storage Temperature	-10~60°C
Certification	
Certification	CE, FCC
IO Ports	

Power Input	1 x 12V DC, Din4 pin connector	USB Port	4 x USB3.2 Gen.1 (Type-A)
Serial Port	1 x RS232/422/485 (Default RS232) 1 x RS232	Video	1 x DP1.2 1 x HDMI 1.4 (Optional)
Audio	1 x Mic in 1 x Line out 2 x Speaker	Expansion Port	2 x M.2 slot(1 for WiFi, 1 for SSD) 1 x PCIe 16 (Optional)
LAN	2 x Giga LAN RJ45 Connector	Indicator	1 x LED Indicator for power 1 x LED Indicator for storage
Brightness Knob	1 x Brightness Adjustment Knob		
Control			
Button	1 x Power Button 1 x Reset Button		
Accessory			
Accessory	100~240V AC to DC Adapter Power Cord VESA screws Manual Mounting clips		
Power			
Power Rating	12V DC (Lockable Power Jack)	Adapter	12V 120W

DIMENSIONS UNIT:MM



NOTE

1. This is a simplified drawing and some components are not marked in detail.
2. Please contact our sales representative if you need further product information.
3. All specifications are subject to change without prior notice.
4. The product shown in this datasheet is a standard model. For diagrams that contain customized or optional I/O, please contact the Winmate Sales Team for more information.