

# W22IQ3S-GCA3

## 21.5" Qualcomm Snapdragon™ 660 G-WIN GC-Series Front IP65 PCAP Panel PC



### KEY FEATURES

- Qualcomm Snapdragon™ 660 octa-core, 2.2 GHz CPU
- Fanless cooling system and ultra-low power consumption
- Front IP65 for protection against water and dust
- A true flat, easy-to-clean front surface with edge-to-edge design
- Plenty of I/O, including 1 x USB 3.0 OTG, 2 x USB 2.0; 1 x RS232/422/485; 1 x RJ45; 1 x Micro SD Slot; 1 x Micro HDMI (Optional);

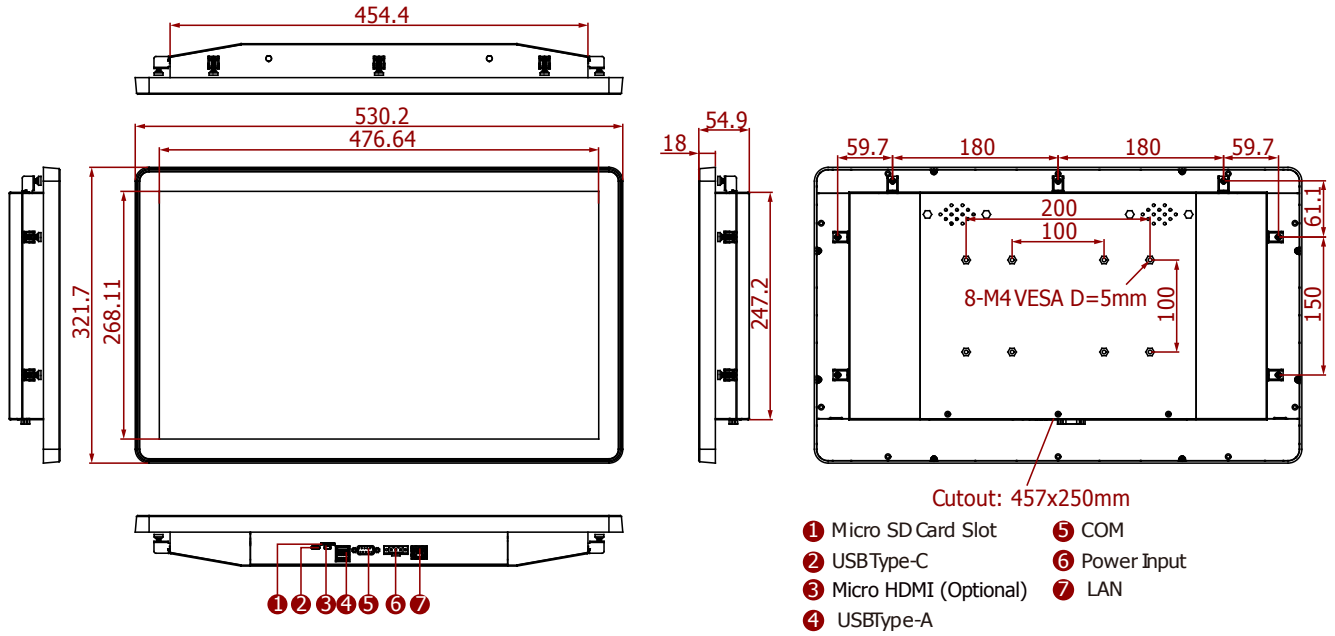


### SPECIFICATIONS

System Specification			
<b>Processor</b>	Qualcomm® Snapdragon™ 660 (Octa-Core 2.2 GHz)	<b>Memory</b>	3GB LPDDR4
<b>Storage</b>	32GB eMMC	<b>Operating System</b>	Android 9.0
<b>WLAN</b>	Support (Optional)	<b>BT</b>	Support (Optional)
Display			
<b>Resolution</b>	1920x1080	<b>Size</b>	21.5 inches
<b>Contrast Ratio</b>	3000:1	<b>Panel Brightness</b>	250 nits
<b>View Angles</b>	89,89,89,89	<b>Active Area</b>	476.64x268.11 mm
<b>Touch / Glass</b>	Projected Capacitive Multi Touch Screen		
IO Ports			
<b>USB Port</b>	2 x USB 2.0 (Type A), 1 x USB 3.0 (Type-C)	<b>Serial Port</b>	1 x RS232/422/485 (Default RS232)
<b>SD Card Slot</b>	1 x Micro SD Card Slot	<b>Video</b>	1 x Micro HDMI (Optional)
<b>LAN</b>	1 x LAN(USB to LAN AX88178A)		
Certification			
<b>Certification</b>	CE, FCC		
Power			
<b>Power Rating</b>	12V DC with Terminal Block 9~36V (Optional)	<b>Adapter</b>	12V 50W
Mechanical			
<b>Dimension</b>	530 x 322 x 51 mm	<b>Mounting</b>	VESA Mount (100x100mm), Panel Mount
<b>Enclosure</b>	Metal Housing with Plastic Bezel	<b>Cooling System</b>	Fanless Design
Environment			
<b>Operating Humidity</b>	10% to 90% (Non-Condensing)	<b>Operating Temperature</b>	0~50°C
<b>Storage Temperature</b>	-20~60°C	<b>Shock</b>	MIL-STD-810G Method 516.6
<b>Vibration</b>	MIL-STD-810G Method 514.6	<b>IP rating</b>	Front IP65
Accessory			

<b>Accessory</b>	Quick Start Guide(Hardcopy) AC Adapter 12V/50W Power Cord 3 Pin Terminal Block to DC Jack
<b>Control</b>	
<b>Button</b>	1 x Power Button (Optional)

**DIMENSIONS** UNIT:MM



**NOTE**

1. This is a simplified drawing and some components are not marked in detail.
2. Please contact our sales representative if you need further product information.
3. The product shown in this datasheet is a standard model. For diagrams that contain customized or optional I/O, please contact the Winmate Sales Team for more information.
4. All specifications are subject to change without prior notice.