

# W22IW3S-MLA3FP

## 21.5" Intel® Core™ i5-8265U Defence Console Rack Panel PC



### KEY FEATURES

- Intel® Core™ i5-8265U 1.6GHz Processor
- Anti-Corrosion Housing / Fanless
- Projective Touch
- Compliant with MIL-STD-810G/F , MIL-STD-461E/F
- Flush Rack / Rack Mount Mechanical Design (8U)
- Convenient On-Screen Display Controls
- AC 110~240 V Power input default
- Isolation DC 9~36 V Power input (Optional)
- Built-in Light Sensor for auto brightness control

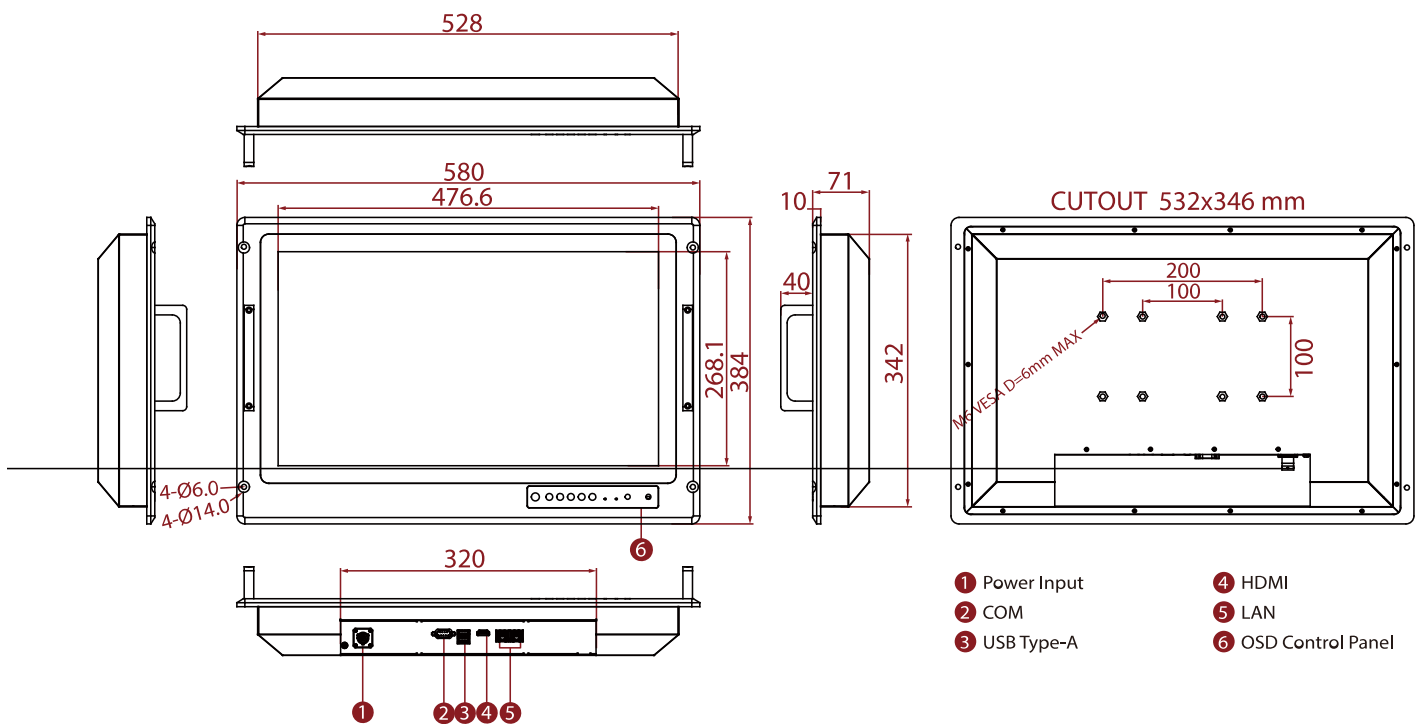


### SPECIFICATIONS

Display	
<b>Resolution</b>	1920x1080
<b>Contrast Ratio</b>	3000:1
<b>View Angles</b>	89,89,89,89
<b>Touch / Glass</b>	Projected Capacitive Multi Touch Screen PCAP with With ITO Flim (Optional)
<b>Size</b>	21.5 inches
<b>Panel Brightness</b>	250 nits
<b>Active Area</b>	476.64x268.11 mm
System Specification	
<b>Processor</b>	Intel® Core™ i5 -8265U (6M Cache, 1.6GHz up to 3.9 GHz)
<b>Memory</b>	1 x SO-DIMM, DDR4 2400 MHz, 4GB 8GB (Optional) 16GB (Optional) 32GB (Optional)
<b>Storage</b>	1 x M.2 2242 B-key SSD 64GB up to 512GB (Optional)
<b>Ethernet controller</b>	Intel® Ethernet Controller I210-AT + Intel® Ethernet Connection I219-LM
<b>Operating System</b>	Windows 10 IoT Enterprise (Optional)
Environment	
<b>Operating Humidity</b>	10% to 95% RH
<b>Operating Temperature</b>	0~50°C
<b>Storage Temperature</b>	-10°C~60°C
Compliance	
<b>MIL-STD 461E/F</b>	RE101 / RE102 CE101 / CE102 with EMI Glass / Touch(Optional) RS101 / RS 103 CS101 / CS 106 / CS 109 / CS 114 / CS 115 / CS 116
<b>MIL-STD 810F/G</b>	Vibration Method 514.5 Humidity Method 507.4 Transit Drop Method 516.5
Certification	
<b>Certification</b>	CE, FCC
Accessory	
<b>Accessory</b>	1 x Manual(Hardcopy) 1 x Driver CD 1 x Power Cord (MIL-DTL-38999/1)
Mechanical	

<b>Dimension</b>	580 x 384 x 71 mm	<b>Mounting</b>	Rack Mount/ VESA Mount
<b>Enclosure</b>	Metal Housing with Aluminum Bezel	<b>Cooling System</b>	Fanless Design
<b>IO Ports</b>			
<b>USB Port</b>	2 x USB 3.2 Gen 1	<b>Serial Port</b>	1 x RS232/422/485 (Default RS232)
<b>Video</b>	1 x HDMI (Optional)	<b>LAN</b>	2 x RJ-45
<b>Power</b>			
<b>Power Rating</b>	AC 100~240V, Universal, ±10% DC 9~36V, ±10% (Optional)		
<b>Control</b>			
<b>Button</b>	8 Key OSD Control Pad: Power, Brightness DOWN, Brightness UP, Night, Day, Auto / Manual, Reset, Lock		

## DIMENSIONS UNIT:MM



## NOTE

1. The product shown in this datasheet is a standard model. For diagrams that contain customized or optional I/O, please contact the Winmate Sales Team for more information.