

W22MG3S-GCA3

21.5" ARM A78 + A55 G-WIN GC-Series Front IP65 PCAP Panel PC



KEY FEATURES

- ARM 2 x A78 2.0GHz + 4 x A55 2.0GHz
- Fanless cooling system and ultra-low power consumption
- Front IP65 for protection against water and dust
- A true flat, easy-to-clean front surface with edge-to-edge design
- Plenty of I/O, including 1 x USB Type-C, 2 x USB 2.0; 1 x RS232/422/485; 1 x RJ45; 1 x Micro SD Slot; 1 x Micro HDMI (Optional)

INTRODUCTION

Winmate G-WIN GC Series Panel PC Series offers advanced performance and flexibility, with sizes ranging from 7" to 24" and support for various operating systems, including Windows and Android. Designed with a fanless cooling system and ultra-low power consumption, these panel PCs feature a front IP65-rated edge-to-edge flat design for water and dust resistance and easy cleaning. With versatile I/O options, including USB, HDMI, and RS232/422/485, these robust devices are ideal for industrial automation, kiosks, and control systems, ensuring reliability in harsh environments.

OVERVIEW

TRUE FLAT AND EASY CLEAN



Simplifying Cleaning with True Flat Design

Enjoy a dust-free environment with the true flat surface. The GC series panel PC featuring a sleek aesthetic with a completely flat surface and edge-to-edge bezel, maintenance and cleaning have never been more effortless. Its easy-to-clean nature helps shield against water or liquid infiltration into device crevices.

Quiet Cooling with Low Energy Consumption

Embracing fanless cooling systems utilizing heat sinks and vapor chambers, the Winmate GC Series guarantees both tranquility and energy efficiency, by passing the typical noise disturbances from fans. Specifically designed for panel PCs and industrial environments, they boast seamless operation, delivering peak performance without disrupting silence. Furthermore, these innovative cooling mechanisms play a pivotal role in conserving energy, amplifying their value proposition.

FANLESS COOLING SYSTEM





Complete Water Resistance

The G-WIN GC series HMI panel PC comes with a front IP65 rating, ensuring resilience in tough environments against water and dust. This protection safeguards it from water splashes, dust, and other contaminants, preserving operational integrity. With this rating, operators can confidently deploy the HMI in challenging industrial conditions, free from worries about moisture or dust-related damage. This feature boosts reliability and longevity, enabling optimal performance and durability to support critical industrial operations effectively.

All-Inclusive I/O Ports

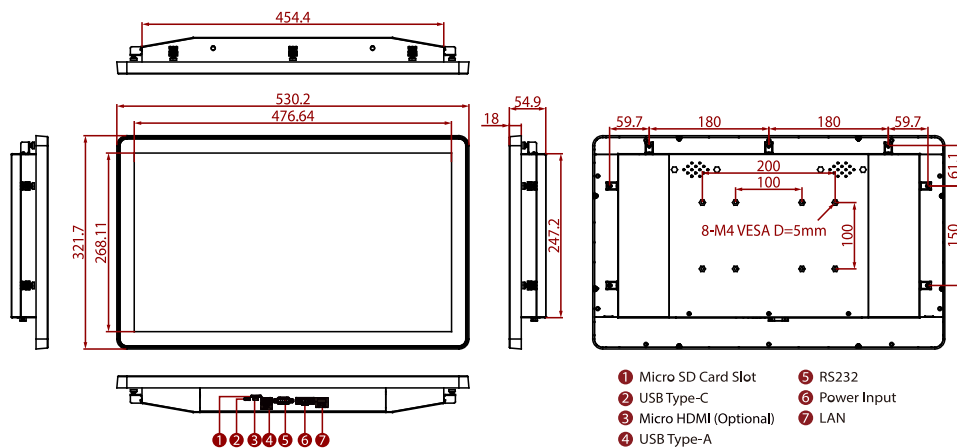
Designed to meet varied industrial needs, the Winmate G-WIN GC Series Panel PC boasts a plethora of I/O interfaces, including 1 x USB Type-C, 2 x USB 2.0, 1 x RS232/422/485, 1 x RJ45, 1 x Micro SD Slot, 1 x Micro HDMI (Optional). These interfaces facilitate seamless connectivity and interaction with an extensive range of external devices and peripherals, elevating the adaptability of the Panel PCs across different applications.



SPECIFICATIONS

Display			
Resolution	1920x1080	Size	21.5 inches
Contrast Ratio	3000:1	Panel Brightness	250.0 nits
View Angles	89,89,89,89	Active Area	476.64x268.11 mm
Touch / Glass	Projected Capacitive Multi Touch Screen		
System Specification			
WLAN	Support (Optional)	BT	Support (Optional)
Processor	ARM 2 x A78 2.0GHz + 4 x A55 2.0GHz	Memory	4GB LPDDR4
Storage	Onboard 32 GB	Operating System	Android 13 Linux Yocto 5.10.104 with QT 5.15 (Optional) Linux Ubuntu 22.04 (Optional)
Mechanical			
Dimension	530 x 322 x 55 mm	Mounting	Panel Mount VESA Mount
Enclosure	Metal Housing with Plastic Bezel	Cooling System	Fanless Design
Cut out	457x250mm		
Environment			
Operating Humidity	10% to 90% RH, Non-Condensing	Operating Temperature	0°C to 50°C
Storage Temperature	-20°C to 60°C	Shock	MIL-STD-810H Method 516.8 Procedure I
Vibration	MIL-STD-810H Method 514.8 Procedure I	IP rating	Front IP65
Certification			
Certification	CE, FCC		
IO Ports			
USB Port	2 x USB 2.0 Type A 1 x USB 2.0 Type C (OTG)	Serial Port	1 x RS232/422/485 (Default RS232)
SD Card Slot	1 x Micro SD card slot	Video	1 x Micro HDMI Output (Optional)
Audio	2 x Speaker (Optional)	LAN	1 x LAN 10/100/1000 Mbps
Accessory			
Accessory	Quick Start Guide(Hardcopy) AC Adapter 12V/50W Power Cord 3 Pin Terminal Block to DC Jack		
Power			
Power Rating	12V DC with Terminal Block 9~36V (Optional)	Adapter	12V 84W
Control			
Button	1 x Power Button (Optional)		

DIMENSIONS UNIT:MM



NOTE

1. This is a simplified drawing and some components are not marked in detail.
2. Please contact our sales representative if you need further product information.
3. The product shown in this datasheet is a standard model. For diagrams that contain customized or optional I/O, please contact the Winmate Sales Team for more information.
4. All specifications are subject to change without prior notice.