

W24IH3S-MLS1-89

24" Intel® Core™ i7-4650U Military Console Rack Panel PC



KEY FEATURES

- 24" 1920 x 1200 High Resolution TFT LCD
- Intel® Core™ i7-4650U 3.30 GHz Processor
- Anti-Corrosion Housing / Fanless
- Compliant with MIL-STD-810F/G
- Flush Rack / Rack Mount Mechanical Design (9U)
- Convenient On-Screen Display Controls
- AC 110~240 V Power input default
- Isolation DC 9~36 V Power input (Optional)
- Built-in light Sensor for auto brightness control
- Military Grade Power & Signal Connector (MILDTL38999/1 & 38999/3)

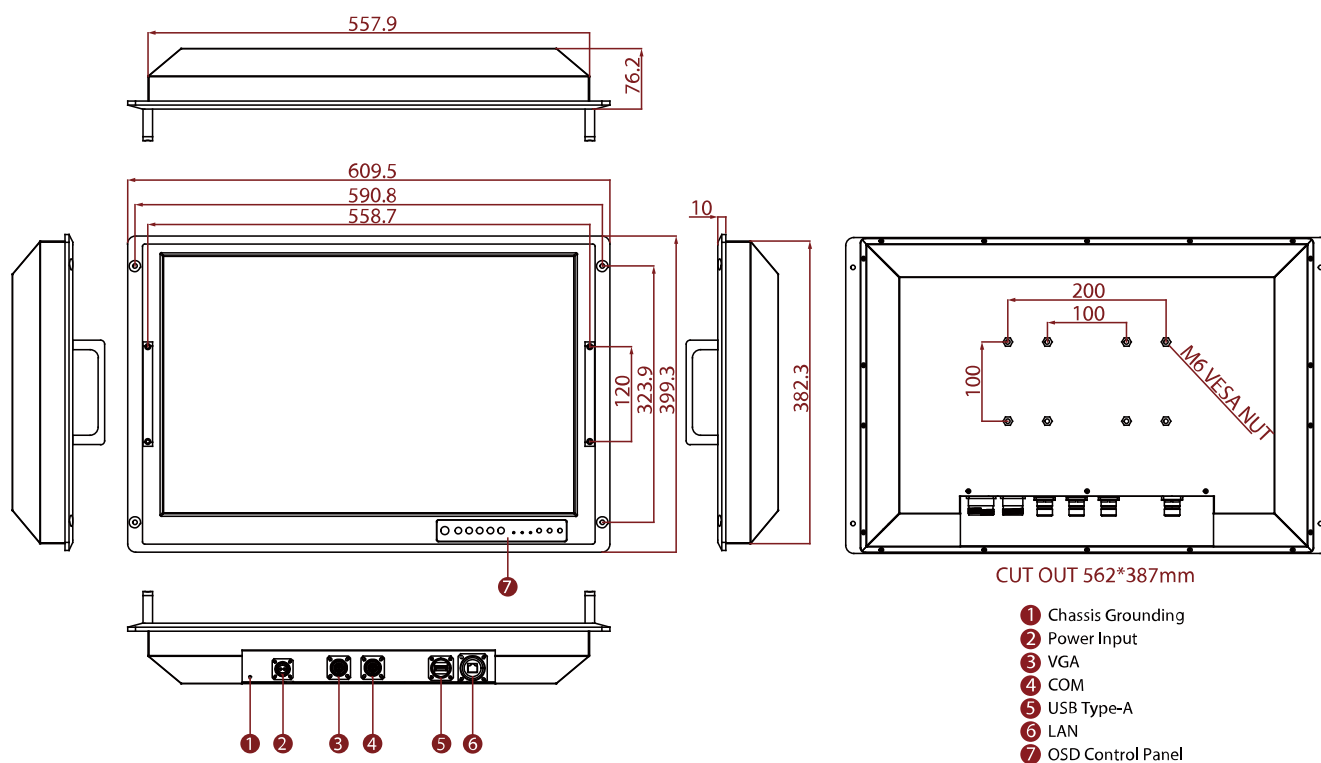


SPECIFICATIONS

Display			
Resolution	1920x1200	Size	24 inches
Contrast Ratio	1000:1	Panel Brightness	300 nits
View Angles	89,89,89,89	Active Area	518.4 x 324.0 mm
Touch / Glass	AR Protection Glass		
System Specification			
Processor	Intel® Core™ i5-4300U (3M Cache, up to 2.90 GHz) Intel® Core™ i7-4650U (4M Cache, up to 3.30 GHz) (Optional)	Memory	1 x SO-DIMM, DDR3L 1600 MHz, 4GB 8GB (Optional)
Storage	1 x mSATA SSD 64GB mSATA SSD up to 512GB (Optional) 1 x SATA III for 2.5" HDD (Optional)	Ethernet controller	Intel® Ethernet Controller I210-AT+ Intel® Ethernet Connection I218-LM
Security	TPM 1.2	Operating System	Windows 7 Embedded Systems (Optional) Windows 10 IoT Enterprise (Optional) Linux Ubuntu 18.04 (Optional)
Environment			
Operating Humidity	10% to 95% RH	Operating Temperature	0~50°C
Storage Temperature	-10°C~60°C		
Compliance			
MIL-STD 461E/F	RE101 / RE102 CE101 / CE102 with EMI Glass / Touch(Optional) RS101 / RS 103 CS101 / CS 106 / CS 109 / CS 114 / CS 115 / CS 116	MIL-STD 810F/G	Vibration Method 514.5 Humidity Method 507.4 Transit Drop Method 516.5
Certification			
Certification	CE, FCC		
IO Ports			

USB Port	1 x USB 2.0 A Type (MIL-DTL-38999/3)	Serial Port	1 x RS-232 (MIL-DTL-38999/3) 1 x RS-232 (Optional)
Video	1 x VGA (MIL-DTL-38999/3)	LAN	1 x LAN (MIL-DTL-38999/3)
Mechanical			
Dimension	609.5 x 399.3 x 76.2 mm	Mounting	VESA Mount/ Rack Mount
Enclosure	Metal Housing with Aluminum Bezel	Cooling System	Fanless Design
Accessory			
Accessory	User Manual (Hardcopy) CD-ROM with Driver Utility Power Cord MIL-DTL-38999/1		
Power			
Power Rating	AC 100~240V, Universal, ±10% DC 9~36V, ±10% (Optional)		
Control			
Button	8 Key OSD Control Pad: Power, Brightness DOWN, Brightness UP, Night, Day, Auto / Manual, Reset, Lock		

DIMENSIONS UNIT:MM



NOTE

1. This is a simplified drawing and some components are not marked in detail.
2. Please contact our sales representative if you need further product information.
3. All specifications are subject to change without prior notice.
4. The product shown in this datasheet is a standard model. For diagrams that contain customized or optional I/O, please contact the Winmate Sales Team for more information.