

W24IH3S-MRA1FP

24" Intel® Core™ i5-5350U Flat PCAP ECDIS Marine Panel PC



KEY FEATURES

- 24" 1920 x 1080 resolution with projective capacitive multi-touch screen
- Edge-to-edge narrow bezel design and fanless cooling system
- Color calibrated for ECDIS compliance (Optional)
- Capacitive touch keys for quick function access and display control (Support ECDIS DAY, DUSK, and NIGHT mode switching)
- Optional 4 x COM port (NMEA 0183 protocol) 422/485 switchable via software
- Meet the requirements of Industrial marine standards, including IEC60945 4th Edition, DNVGL-CG-0339, IACS E10
- Support capacitive touch key lock / touchscreen lock function

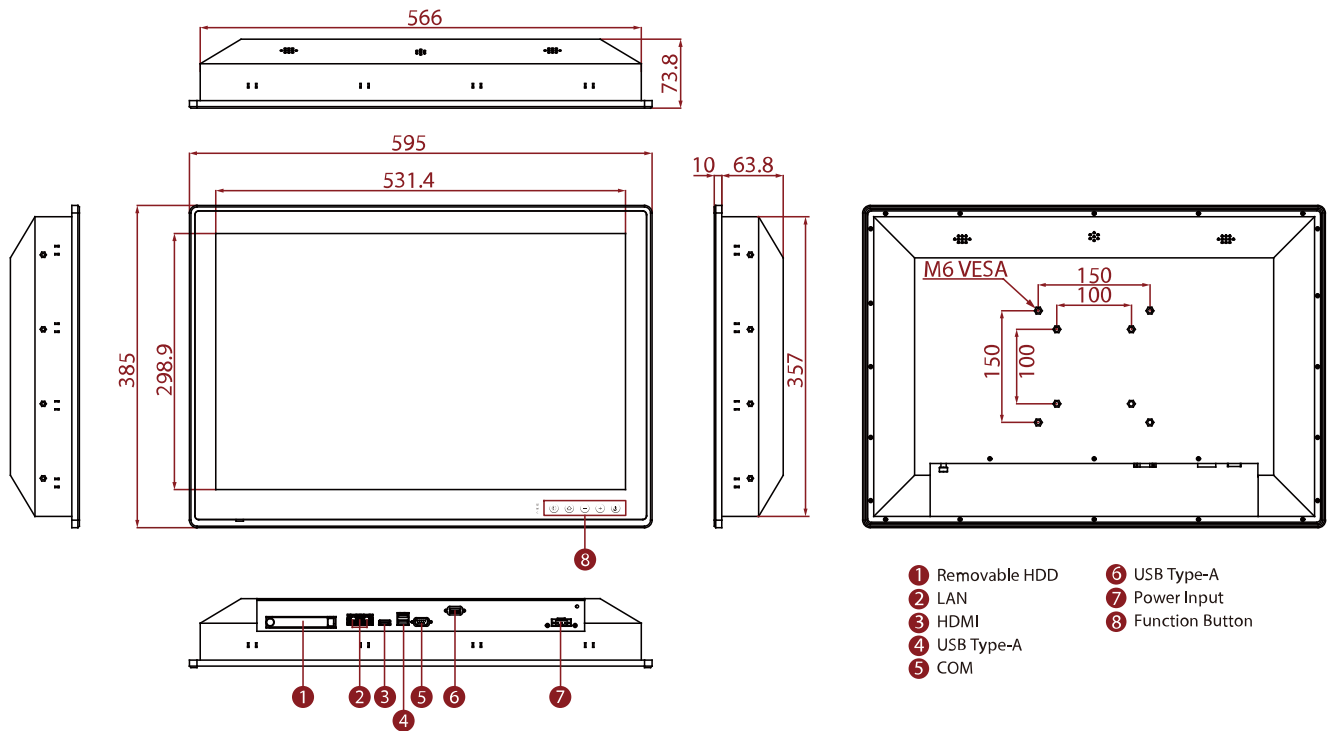


SPECIFICATIONS

Display			
Resolution	1920x1080	Size	24 inches
Contrast Ratio	5000:1	Panel Brightness	300 nits
View Angles	89,89,89,89	Active Area	531.36x298.89 mm
Touch / Glass	Projected Capacitive Multi Touch Screen AR Glass (Optional)		
System Specification			
Processor	Intel® Core™ i5-5350U Processor 1.8GHz (3M Cache, up to 2.90 GHz)	Memory	1 x SO-DIMM, DDR3L 1600 MHz, 4GB 8GB (Optional)
Storage	1 x mSATA SSD 64GB mSATA SSD up to 512GB (Optional)	Ethernet controller	Intel® Ethernet Controller I211-AT+ Intel® Ethernet Connection I218-LM
Operating System	Windows 7 Embedded Systems (Optional) Windows 10 IoT Enterprise (Optional) Linux Ubuntu 18.04 (Optional)		
Environment			
Operating Humidity	5% to 95%	Operating Temperature	-15~55°C
Shock	15G, 11ms duration	Vibration	0.7g@DNVGL CG-0339 (Class A)
IP rating	IP66 (Front Side)		
Certification			
Certification	DNVGL-CG-0339, IEC60945 4th, IACS E10, CE, FCC		
IO Ports			
USB Port	2 x USB3.0 1 x USB2.0	Serial Port	1 x RS232/422/485
Video	1 x HDMI (Optional)	LAN	2 x RJ45
Front Control	Power Brightness + Brightness - Menu Function Key(Default setting: ECDIS Mode)	Indicator	Day Mode Dusk Mode Night Mode
DIDO	8 Channel Isolated Digital Input/Output (Optional)	NMEA	4 x NMEA 0183 Port (Optional)

Mechanical			
Dimension	595 x 385 x 63.8 mm	Mounting	VESA Mount/ Panel Mount
Enclosure	Anodized Aluminum Bezel	Cooling System	Fanless Design
Accessory			
Accessory	Driver CD & User Manual AC to DC Adapter Power Cord 3 pin Terminal Block to DC Jack M4 x 12 Black Screw Bolts	Optional Accessory	Four 5 Pin Terminal Block 3.81 (Phoenix Type)*For NMEA port (Optional)
Power			
Power Rating	24V DC-in with Isolation (Approval by Certificate) 9~36V DC Input Accpetable		

DIMENSIONS UNIT:MM



NOTE

1. This is a simplified drawing and some components are not marked in detail.
2. Only 24V DC has been approved by DNVGL certification.
3. Please contact our sales representative if you need further product information.
4. All specifications are subject to change without prior notice.
5. The product shown in this datasheet is a standard model. For diagrams that contain customized or optional I/O, please contact the Winmate Sales Team for more information.