

W24L100-RKS1ML

24" Rack Mount Protective Glass Defence Display



KEY FEATURES

- Compliant MIL-STD 810G/ MIL-STD 461E, Rack Mount Defence Display
- Rack mount mechanical design, supports VESA mount
- High image quality, 1920 x 1200 pixels resolution
- AR protection glass
- Defence-grade power connector (MIL-DTL-38999/1)
- AC 100~240V, Universal, ±10%; DC 9~36V, ±10% (Optional)
- Resistive Touch (Optional)
- Build-in Light Sensor for Auto Brightness Control

INTRODUCTION

Winmate Rack Mount Protective Glass Defence Display Series is built for durability and high performance in demanding defense applications, with sizes ranging from 17" to 32". Featuring MIL-STD 810G and MIL-STD 461E compliance, this series includes AR protection glass for glare reduction and enhanced durability. With high-resolution displays, rack mount and VESA mounting options, defense-grade power connectors, and auto brightness control via a built-in light sensor, these displays deliver exceptional clarity, reliability, and adaptability for mission-critical environments.

OVERVIEW



Reliable Computing Tailored for Defence Applications

To meet the regulatory requirements of the Defence and defense, all Winmate's Defence Console Rack Displays are built and tested according to MIL-STD-810G environmental and MIL-STD 461F EMC standard. Winmate performs in-house reliability test to ensure optimal performance in harsh defence environments.

Command Center Focused Design

Increase the efficiency of the command center and control room personnel. Built your ergonomic command console that complies with Defence and defense precise needs with Defence Console Rack Displays that feature rack mount mechanical design (8U).



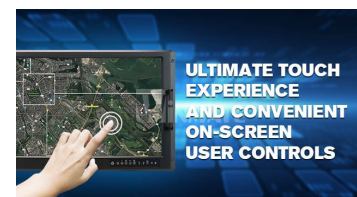


Defence – Grade Connectors for Compatibility with Existing Defence Systems

The Defence Console Rack Displays come with MIL-DTL-38999 type I power input connector – high-performance cylindrical connector for cable-to-panel applications in the defence, air traffic control, or other mission-critical situations. Compatible with existing defence systems.

Ultimate Touch Experience and Convenient On-Screen User Controls

The Defence Console Rack Displays feature a user-friendly touchscreen and physical OSD buttons for fast access to the central control located on the front panel.



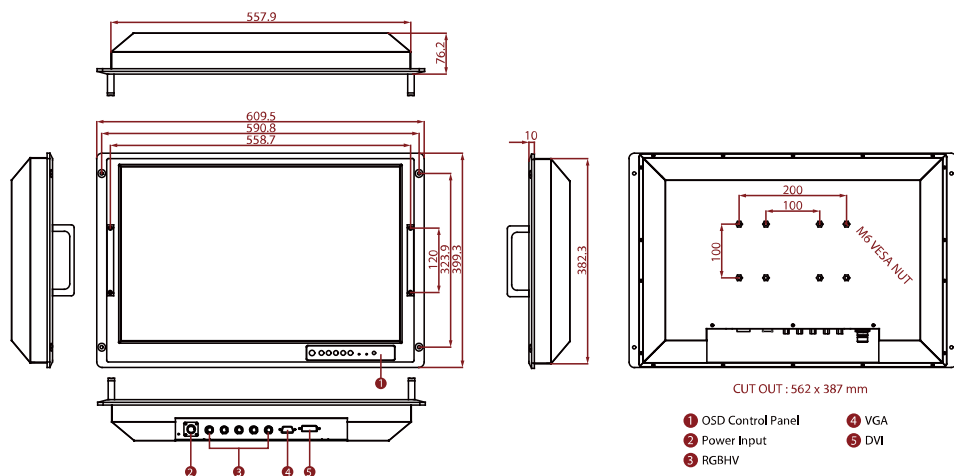
Auto Brightness Control with Built-in Light Sensor

The Defence Console Rack Displays feature a built-in light sensor for auto-brightness control. The screen brightness effortlessly changes with the lighting conditions throughout the day.

SPECIFICATIONS

Display			
Resolution	1920x1200	Size	24.0 inches
Contrast Ratio	1000:1	Panel Brightness	300.0 nits
Display Color	16.7M Colors	View Angles	89,89,89,89
Active Area	518.4x324.0 mm	Touch / Glass	AR Protection Glass EMI ITO Glass (Optional) 5-wire Resistive Touch (Optional) 5-wire Resistive Touch with EMI Mesh Filter (Optional)
Environment			
Operating Humidity	10% to 95% RH	Operating Temperature	0~50°C
Storage Temperature	-10°C~60°C		
Compliance			
MIL-STD 461E/F/G	RE101 / RE102 CE101 / CE102 CS118 with EMI Glass / Touch(Optional) RS101 / RS 103 CS101 / CS 106 / CS 109 / CS 114 / CS 115 / CS 116	MIL-STD 810G/H	Vibration Method 514.6 Humidity Method 507.5 Transit Drop Method516.6
Certification			
Certification	CE, FCC		
IO Ports			
Video	1 x 15 Pin D-Sub 5 x BNC 1 x DVI-D		
Mechanical			
Dimension	609.5 x 399.3 x 76.2 mm	Mounting	VESA Mount/ Panel Mount
Enclosure	Metal Housing with Aluminum Bezel	Cooling System	Fanless Design
Power			
Power Rating	AC 100~240V, Universal, ±10% DC 9~36V, ±10% (Optional)		
Accessory			
Accessory	1 x User Manual(Hardcopy) 1 x Power Cord MIL-DTL-38999/1 1 x VGA Cable 1 x DVI Cable 1 x VGA to 5 BNC Shielding Cable		
Control			
Button	7 Key: Power Decrease Increase Exit/ Auto Menu Day/ Night		

DIMENSIONS UNIT:MM



NOTE

1. This is a simplified drawing and some components are not marked in detail.
2. If you require an external test report, Winmate will charge an NRE fee.
3. Please contact our sales representative if you need further product information.
4. All specifications are subject to change without prior notice.
5. The product shown in this datasheet is a standard model. For diagrams that contain customized or optional I/O, please contact the Winmate Sales Team for more information.