

W27L100-MLA3FG

27" 4K2K UHD Defence Display



KEY FEATURES

- 27" Display with 4K2K UHD Protective Glass Rack Mount Defence Display (3840 x 2160) native resolution
- Compliant MIL-STD 810G/ MIL-STD 461E
- Rack mount mechanical design, supports VESA mount
- AR protection glass
- Defence-grade power connector (MIL-DTL-38999/1)
- AC 100~240V, Universal, ±10%; DC 9~36V, ±10% (Optional)
- Convenient on-screen display controls



OVERVIEW



4K2K – UHD TFT Panel – 4 times higher pixel density than HD

UHD (=Ultra High Definition) displays an extremely high resolution - from now on for industrial applications by Winmate. 4-times higher resolution and pixel density. Winmate 4K2K PPC displays with an incomprehensible high resolution of 3840 x 2160 pixels by Innolux are applicable for your industrial applications – NOW.



Reliable Computing Tailored for Defence Applications

To meet the regulatory requirements of the defence and defense, all Winmate's Defence Console Rack Displays are built and tested according to MIL-STD-810G environmental and MIL-STD 461F EMC standard. Winmate performs in-house reliability test to ensure optimal performance in harsh defence environments.



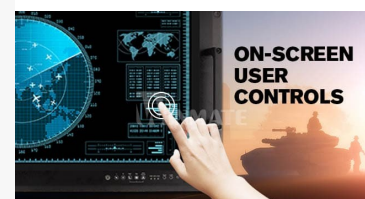
Command Center Focused Design

Increase the efficiency of the command center and control room personnel. Built your ergonomic command console that complies with defence and defense precise needs with Defence Console Rack Displays that feature rack mount mechanical design (8U).



Defence – Grade Connectors for Compatibility with Existing Defence Systems

The Defence Console Rack Displays come with MIL-DTL-38999 type I power input connector and, for selected models, MIL-DTL-38999 type III input/ output connectors – high-performance cylindrical connector for cable-to-panel applications in the Defence, air traffic control, or other mission-critical situations. Compatible with existing defence systems.



Convenient On-Screen User Controls

The Defence Console Rack Displays feature user-friendly physical OSD buttons for fast access to the central control located on the front panel.

AUTO BRIGHTNESS CONTROL



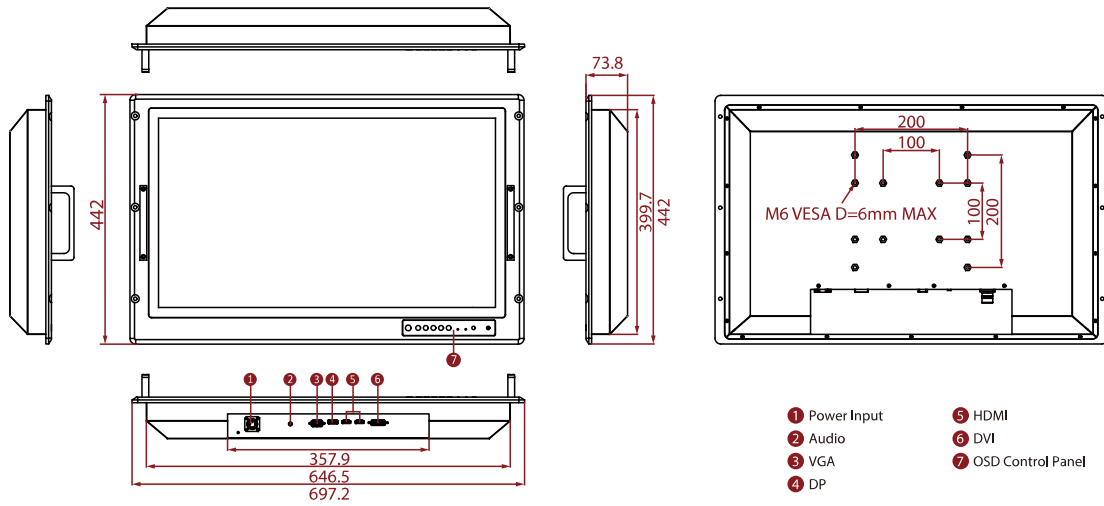
Auto Brightness Control with Built-in Light Sensor

The Defence Console Rack Displays feature a built-in light sensor for auto-brightness control. The screen brightness effortlessly changes with the lighting conditions throughout the day.

SPECIFICATIONS

Display			
Resolution	3840x2160	Size	27.0 inches
Contrast Ratio	1000:1	Panel Brightness	400.0 nits
Display Color	1.07B Colors	View Angles	89,89,89,89
Active Area	596.16x335.34 mm	Touch / Glass	AR Protection Glass EMI ITO Glass (Optional)
Certification			
Certification	CE, FCC		
Environment			
Operating Humidity	10% to 95% RH	Operating Temperature	0~50°C
Storage Temperature	-25°C~60°C		
Compliance			
MIL-STD 461E/F/G	RE101 / RE102 CE101 / CE102 CS118 with EMI Glass / Touch(Optional) RS101 / RS 103 CS101 / CS 106 / CS 109 / CS 114 / CS 115 / CS 116	MIL-STD 810G/H	Vibration Method 514.6 Humidity Method 507.5 Transit Drop Method516.6
IO Ports			
Serial Port	1 x RS232 for Remote Control (Optional)	Video	1 x VGA 1 x DVI 1 x Display Port 1.2 1 x HDMI 1.4 (Optional) 1 x HDMI 2.0 (Optional)
Audio	1 x Audio Line In (Optional)		
Mechanical			
Dimension	697.2 x 442 x 73.9 mm	Mounting	VESA Mount/ Rack Mount
Enclosure	Metal	Cooling System	Fanless Design
Accessory			
Accessory	1 x User Manual(Hardcopy) 1 x Power Cord MILDTL38999/1 1 x VGA Cable 1 x DVI Cable 2 x HDMI Cable 1 x DP Cable	Optional Accessory	1 x Audio cable
Power			
Power Rating	AC 100~240V, Universal, ±10% DC 9~36V, ±10% (Optional)		
Control			
Button	7 key: Power Decrease Increase Exit/ Auto Menu Day/ Night Lock/ Unlock		

DIMENSIONS UNIT:MM



NOTE

1. This is a simplified drawing and some components are not marked in detail.
2. If you require an external test report, Winmate will charge an NRE fee.
3. Please contact our sales representative if you need further product information.
4. All specifications are subject to change without prior notice.
5. The product shown in this datasheet is a standard model. For diagrams that contain customized or optional I/O, please contact the Winmate Sales Team for more information.