

# W28FA3S-CHA2

## 28.6" NXP i.MX6 Bar Type Panel PC



### KEY FEATURES

- 28.6" 1920 x 540 Resolution with high brightness and wide aspect ratio screen
- NXP i.MX6 Dual Core 1GHz
- Fanless cooling system and Ultra-low power consumption
- Support PoE function
- 1 x USB; 1 x RS232 /422/485; 1 x CAN BUS; 1 x Micro SD Slot



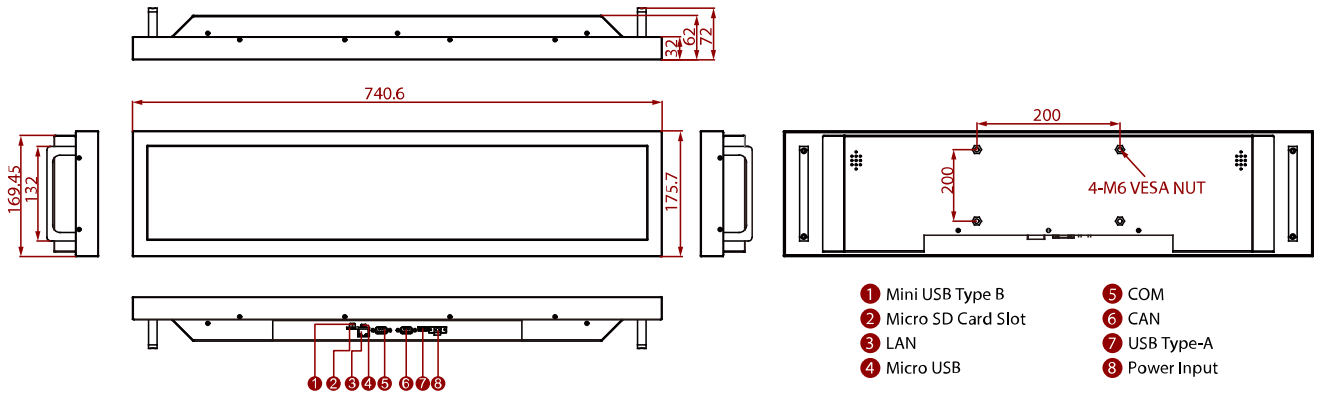
### SPECIFICATIONS

Display			
Touch / Glass	Protection Glass	Resolution	1920x0540
Size	28.6 inches	Contrast Ratio	4000:1
Panel Brightness	700 nits	View Angles	89,89,89,89
Active Area	698.4x196.425 mm		
System Specification			
Processor	NXP i.MX6 Dual Core, 1.0GHz	Memory	1GB 2GB (Optional)
Storage	Onboard 16GB eMMC Onboard 32GB eMMC (Optional)	Operating System	Linux Ubuntu 18.04 (Optional) Android 6.0 (Optional) Debian 7.0 (Optional) Linux 4.1.15 QT 5.5 (Optional)
Environment			
Operating Humidity	10% to 90% (non-condensing)	Operating Temperature	0~50°C
Storage Temperature	-10~60°C		
Certification			
Certification	CE, FCC		
Mechanical			
Dimension	740.6 x 175.7 x 72 mm	Mounting	VESA Mount
Enclosure	Metal	Cooling System	Fanless Design
IO Ports			
USB Port	1 X USB 2.0 1 x USB 3.0	Serial Port	1 x RS232/422/485
Video	1 x HDMI (Optional)	LAN	2 x RJ 45-10/100/1000 Mbps
Accessory			
Accessory	User Manual Driver CD1 Power Cord AC Adapter 2 pin Terminal Block VESA Mount Screws USB to Micro USB Cable		

## Power

Power Rating 9V~36V DC In Terminal Block

## DIMENSIONS UNIT:MM



## NOTE

1. This is a simplified drawing and some components are not marked in detail.
2. Please contact our sales representative if you need further product information.
3. The product shown in this datasheet is a standard model. For diagrams that contain customized or optional I/O, please contact the Winmate Sales Team for more information.