

W28L100-OFA2

28.6" Bar Type Open Frame Display



KEY FEATURES

- 28.6", 1920 x 540
- HDMI, VGA, DVI
- Open frame
- VESA mount
- Front IP54 waterproof and dustproof

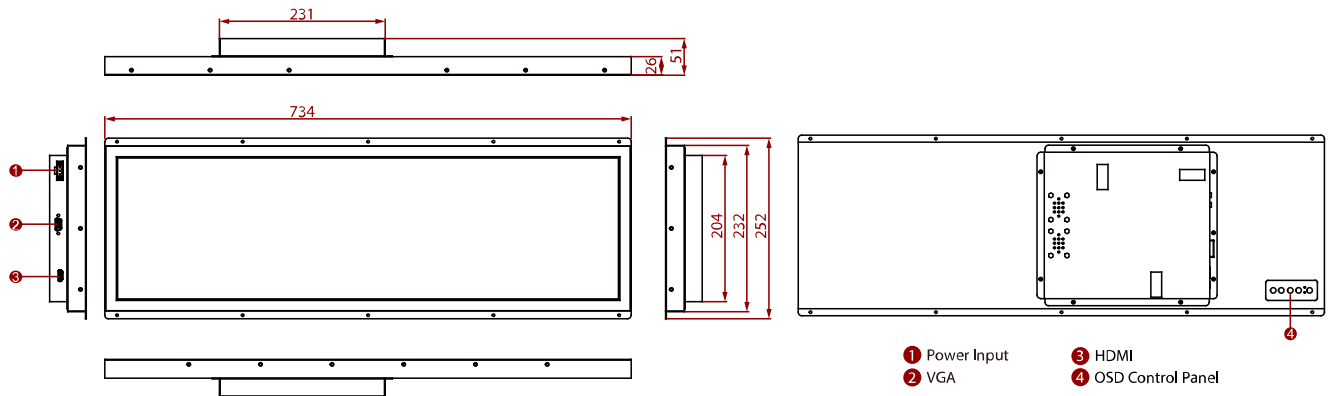


SPECIFICATIONS

Display			
Touch / Glass	Resistive Touch Screen (Optional) Protection Glass w/o Touch Function (Optional)	Resolution	1920x0540
Size	28.6 inches	Contrast Ratio	4000:1
Panel Brightness	700 nits	Display Color	16.7M Colors
View Angles	89,89,89,89	Active Area	698.4x196.425 mm
Environment			
Operating Humidity	10% to 90% (non-condensing)	Operating Temperature	0~50°C
Storage Temperature	-10~60°C		
Certification			
Certification	CE, FCC		
IO Ports			
USB Port	1 x USB for Touch Screen	Video	1 x VGA 1 x HDMI (Optional) 1 x DVI (Optional)
Audio	Audio line in (3.5mm) (Optional) 2 x Speaker (Optional)		
Mechanical			
Dimension	734 x 252 x 51 mm	Mounting	VESA Mount/ Panel Mount
Enclosure	Metal	Cooling System	Fanless Design
Accessory			
Accessory	1 x VGA cable 1 x HDMI cable 100~240V AC to DC Adapter Power Cord Manual VESA screws(Varies by product)	Optional Accessory	Remote Controller (Optional,Varies by product)
Power			
Power Rating	12V DC input		

DIMENSIONS UNIT:MM

Winmate W28L100-OFA2



NOTE

1. This is a simplified drawing and some components are not marked in detail.
2. Please contact our sales representative if you need further product information.
3. All specifications are subject to change without prior notice.
4. The product shown in this datasheet is a standard model. For diagrams that contain customized or optional I/O, please contact the Winmate Sales Team for more information.