

# W32L100-PTA3

## 32" Multi-Touch Chassis Display



### KEY FEATURES

- 32" 1920 x 1080 with P-CAP touchscreen, Multi-Touch Chassis Display
- Bottom side keys x 5
- Fanless and Ventless design, Easy-to-Clean
- Support VGA, HDMI (Optional) signal input
- Front IP65

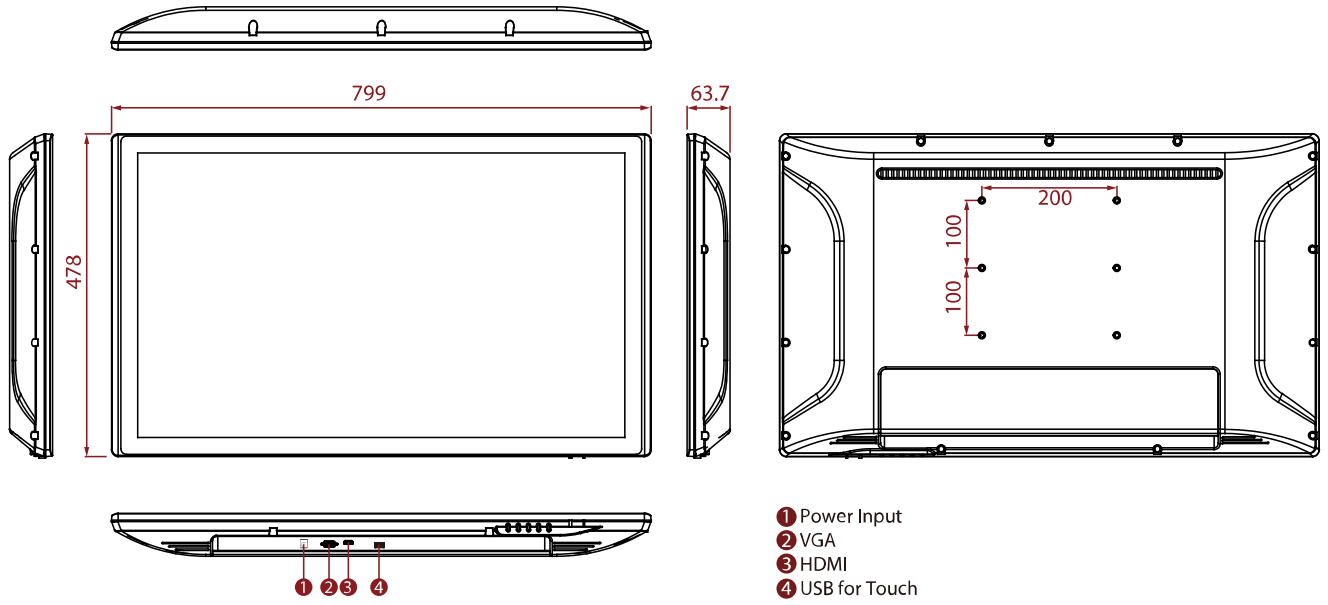


### SPECIFICATIONS

Display	
<b>Resolution</b>	1920x1080
<b>Contrast Ratio</b>	4000:1
<b>Display Color</b>	16.7M Colors
<b>Active Area</b>	698.4 x 392.85 mm
<b>Size</b>	32.0 inches
<b>Panel Brightness</b>	400 nits
<b>View Angles</b>	89,89,89,89
<b>Touch / Glass</b>	Projected Capacitive Multi Touch Screen
Environment	
<b>Operating Humidity</b>	10% to 90% (non-condensing)
<b>Storage Temperature</b>	-10~60°C
<b>Operating Temperature</b>	0~50°C
Certification	
<b>Certification</b>	CE, FCC
IO Ports	
<b>USB Port</b>	1 x USB for Touch Screen
<b>Audio</b>	2 x Speaker
<b>Video</b>	1 x VGA 1 x HDMI (Optional) 1 x DVI (Optional)
Mechanical	
<b>Dimension</b>	799 x 478 x 63.7 mm
<b>Enclosure</b>	Plastic
<b>Mounting</b>	VESA Mount
<b>Cooling System</b>	Fanless Design
Accessory	
<b>Accessory</b>	1 x VGA cable 1 x HDMI cable 100~240V AC to DC Adapter Power Cord Manual VESA screws(Varies by product)
<b>Optional Accessory</b>	Remote Controller (Optional,Varies by product)
Power	
<b>Power Rating</b>	12V DC input
Control	
<b>Button</b>	5 Keys: -, +, Power, Esc, Enter

**DIMENSIONS** UNIT:MM

**Winmate W32L100-PTA3**



**NOTE**

1. The product shown in this datasheet is a standard model. For diagrams that contain customized or optional I/O, please contact the Winmate Sales Team for more information.