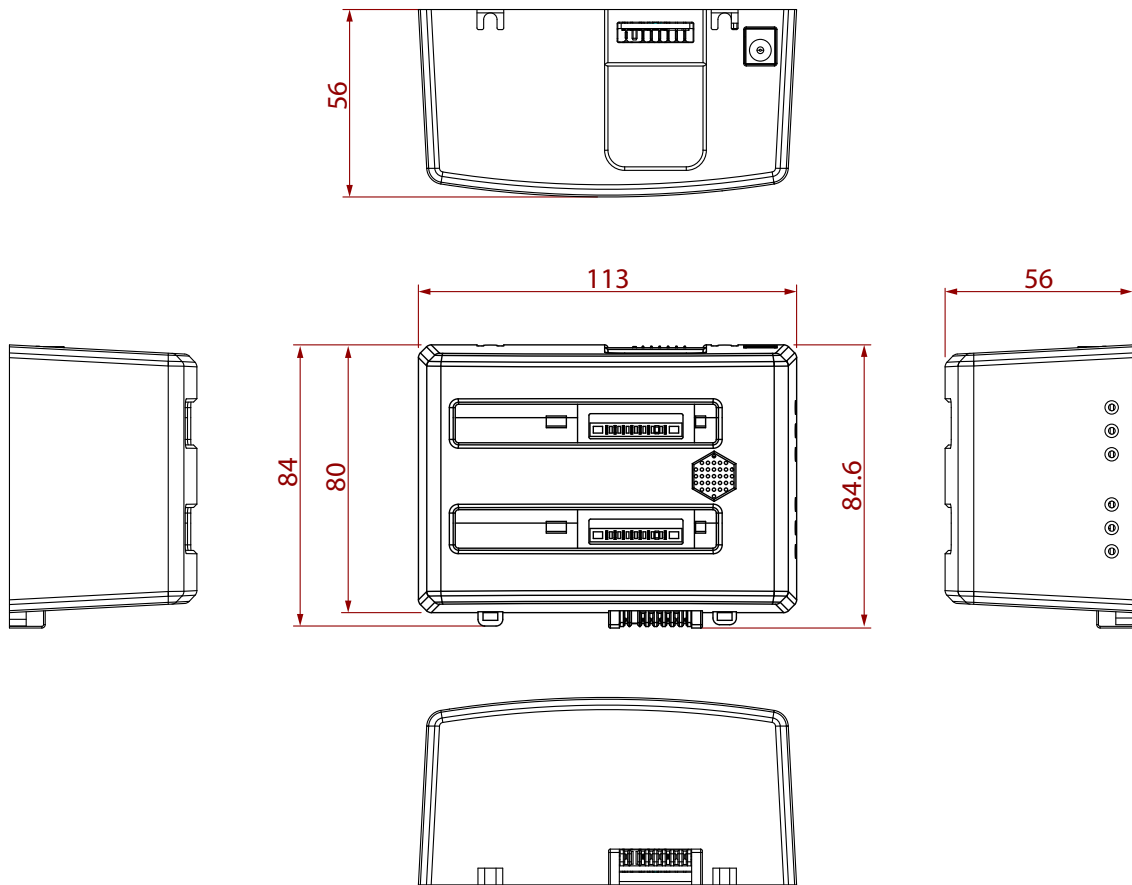


Product Features

- Dual-bay charging dock
- Power level LED indicators
- Buzzer to indicate the battery is inserted



Mechanical Drawing



Specification

Dimension	113 x 80 x 56 mm
Power Input	19V DC-in
Package Contents	<ul style="list-style-type: none">• Dual-bay Battery Charger x 1• 19V AC Adapter x 1• Power Cord x 1• Quick Start Guide x 1