

Battery for L140TG

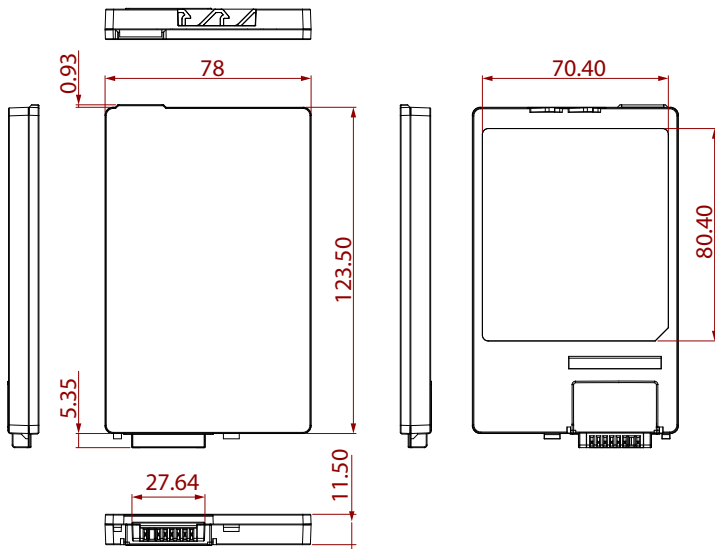
BTL140

Product Features:

- 10.8V / 2400 mAh Li-Polymer Battery, 3S1P
- With LED indicator to show battery capacity

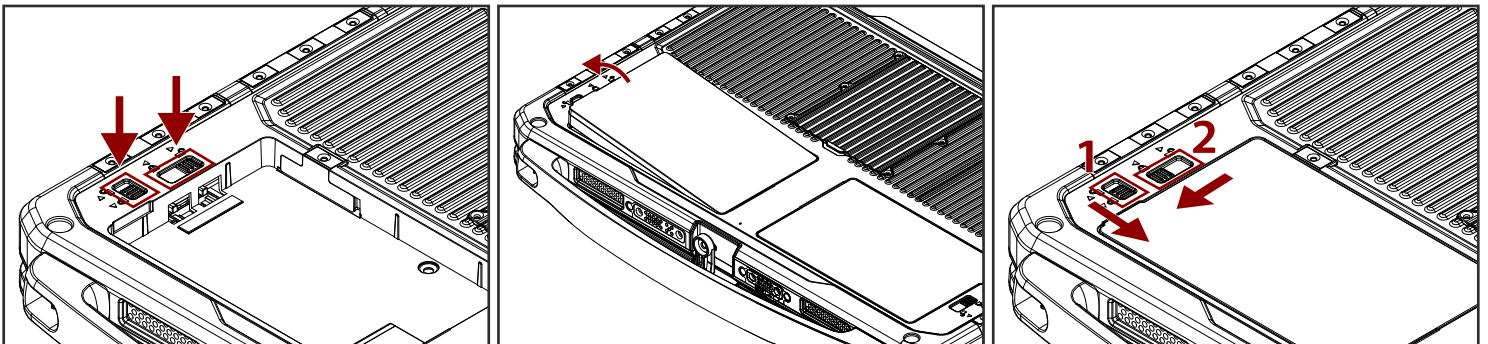


Mechanical Drawing:



Dimensions	123.5 x 78 x 11.5 mm
Weight	174 g
Color	Pantone# 426C

Installation Procedure:



Specification

Voltage / Capacity	10.4V/2400mAh
Composition	3S1P Li-Polymer Re-chargeable Battery
Operating Temperature	Standard Charging: 10~50°C Standard Discharging: -20~60°C
Certification	IEC62133, UN38.3