

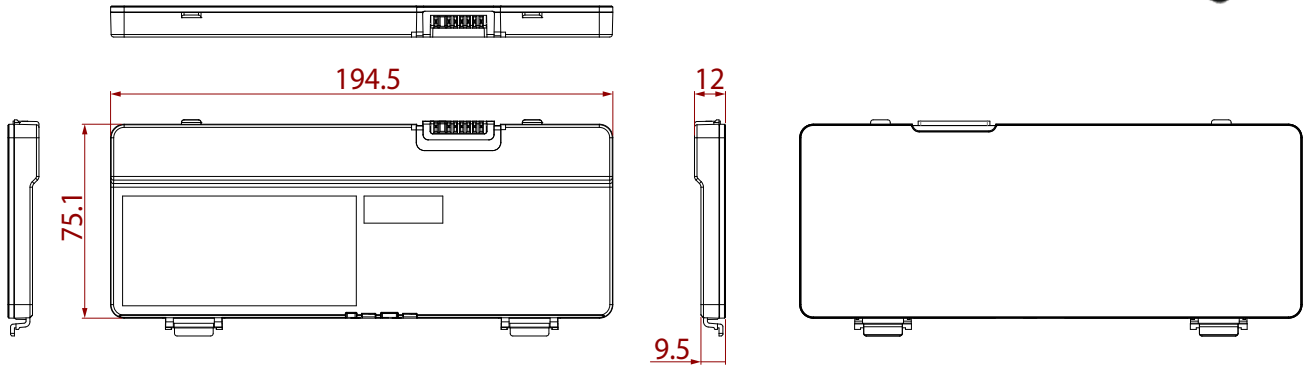
Battery for S101 Series

BTS101

Product Features:

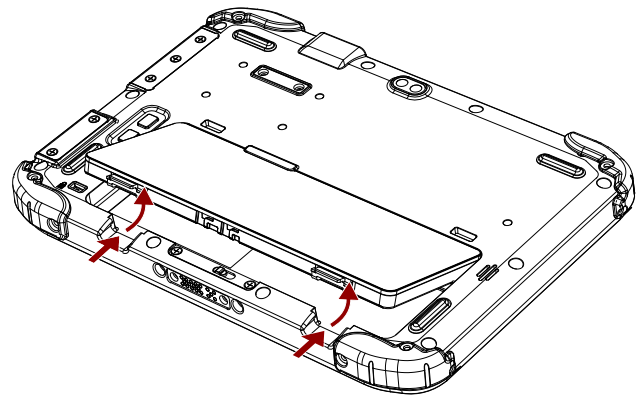
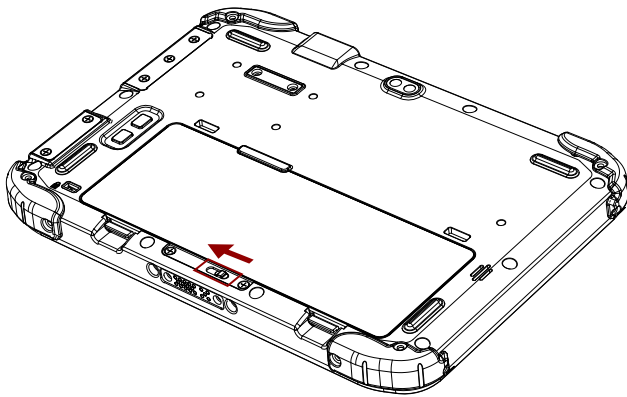
- Compatible with S101 Series Tablet PCs
- Easy installation

Mechanical Drawing



Dimensions	194.5 x 75.1 x 12 mm
Weight	210g
Color	Pantone# 426C

Installation Procedure



Specification

Voltage / Capacity	11.4V/ typ. 3500mAh
Composition	3S1P Li-Ion Re-chargeable Battery
Operating Temperature	Standard Charging: 0~50°C Standard Discharging : -20~60°C
Life Cycle	≥ 300
Certification	IEC62133, UN38.3