

Vehicle Docking for M700D Series

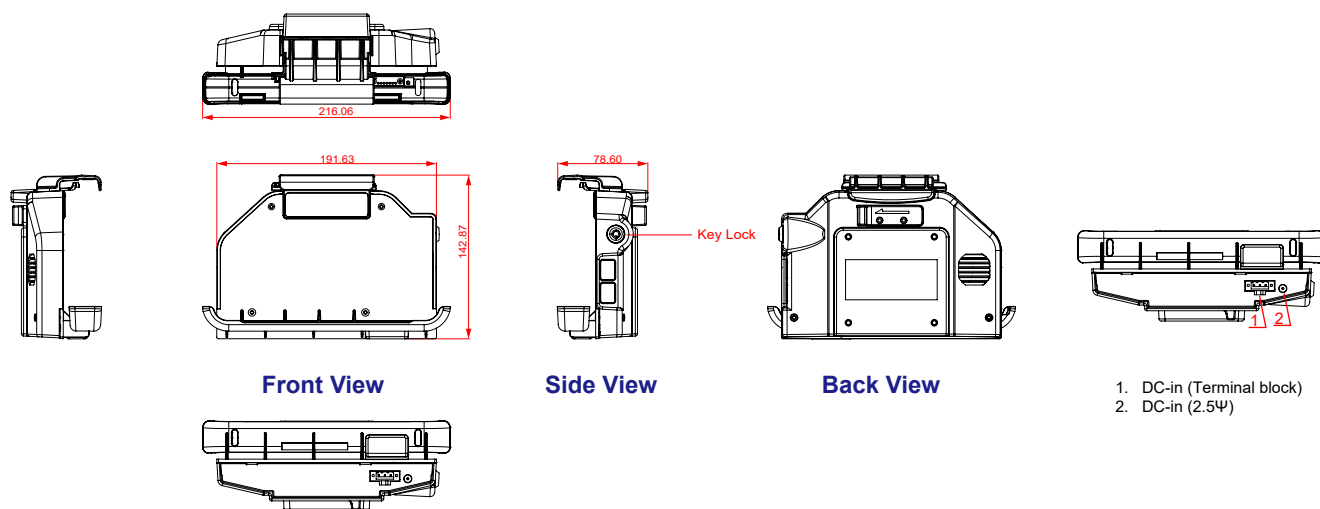
CVD-M700D

Product Features:

- Hold the Tablet tightly on the moving vehicle
- Lockable design to avoid Tablet be taken away (with key)
- Support both terminal block & 2.5 Ψ power jack input
- 9~36V DC-in wide range DC input
- IP52 design (Rain proof)



Mechanical Drawing



1. DC-in (Terminal block)
2. DC-in (2.5 Ψ)

One hand docking :



1 Insert the Tablet PC into the docking

2. Push down the hook, the lock will lock automatically

One hand undocking :



1. Slide the latch to open the hook

2. Remove the Tablet from docking

Specification

Dimension		142.87 x 216.06 x 78.60 mm
Power Input		9~36V DC
I/O Support	Bottom	DC-in (Terminal block) DC-in (2.5 Ψ)
Mounting		75 x 75mm VESA Holes
Vibration		MIL Std. 810G, 5 ~ 500Hz, 2.24G

Accessories:

Default	Cigar Head Cable
	VESA Screw x 6