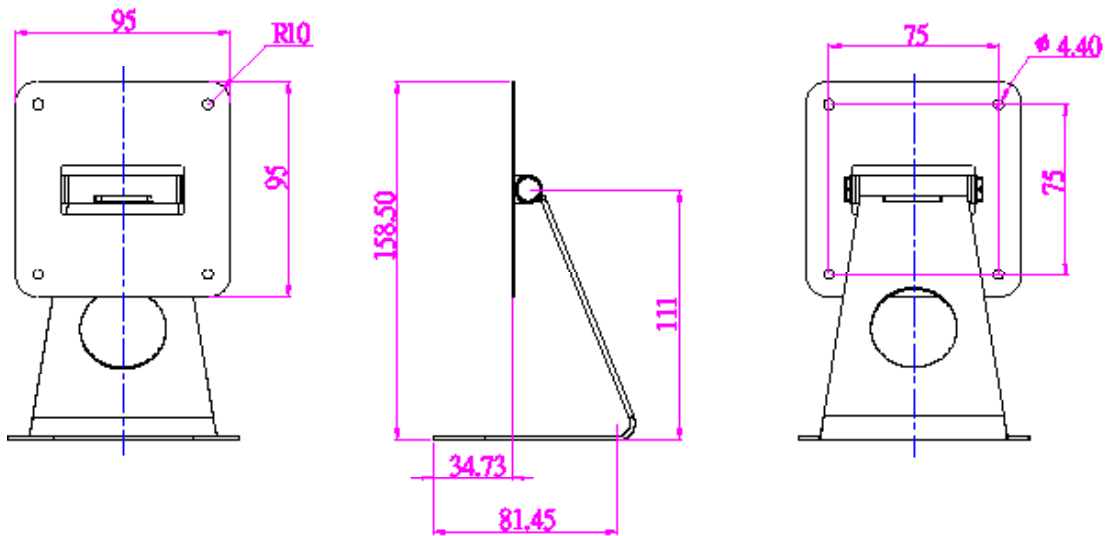
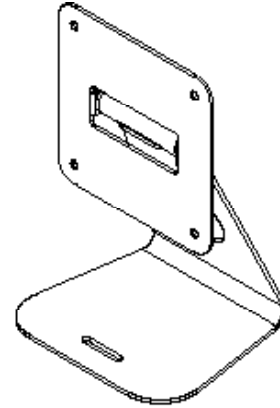


# VESA Stand

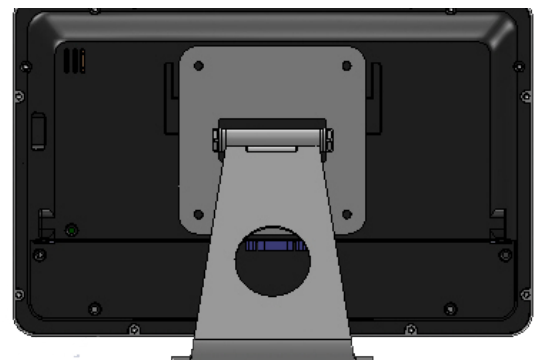
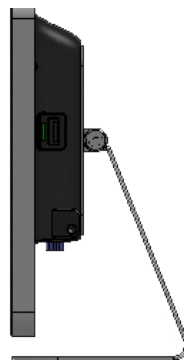


## Mechanical Drawing:

Model Name: PCVS-V1  
Part Number: 99KK00A0000E



## How to use VESA Stand ?



Rev.	Reasons	Revised Date
1.0	First Release	Jan.02.13