

Vehicle Dock for S101 Series

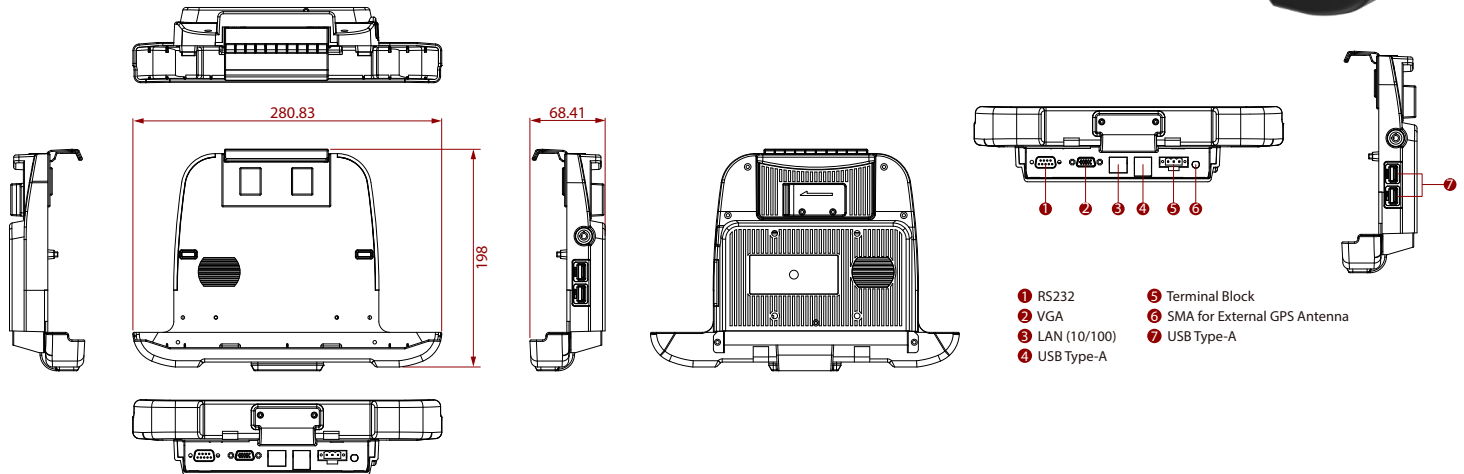
VD-S101

Product Features:

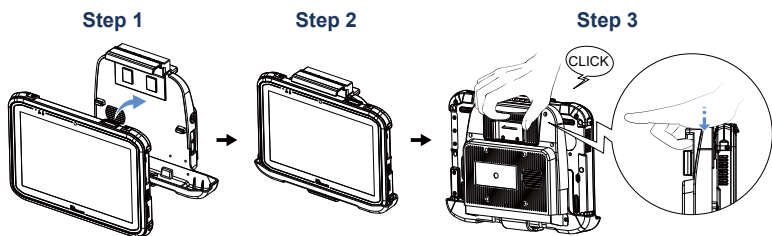
- Hold the tablet stably on moving vehicle
- Anti-theft design with key lockable cradle
- Wide power voltage input (9~36V DC-in)
- VESA standard for various standard fixtures



Mechanical Drawing



One hand docking :

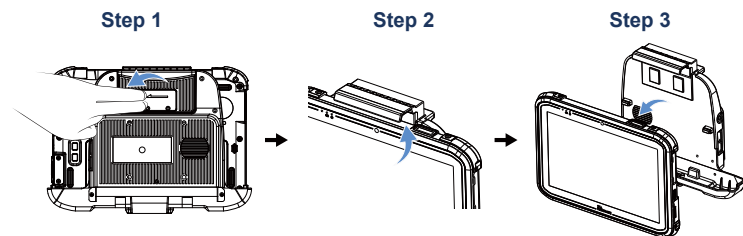


1. With screen side facing out and docking connector down, insert the tablet PC into the alignment ports on vehicle docking VD-M101 cradle.
2. Make sure the tablet's backside is aligned upright against the vehicle mount.
3. Reposition if the tablet still moves around.

Secure the tablet by carefully pushing down the hook from the backside of the vehicle dock. Clasp with four fingers and further push down the hook with the palm of your hand until you hear a "click" sound and the latch is fully engaged. Please be careful not to pinch your fingers.

Note: Place the palm on the rib of the vehicle docking for easier installation.

One hand undocking :



1. Reach for the latch on the back of the vehicle docking VD-M101 and pull it sideways.
2. The top hook should be released after the latch is pulled.
3. Tilt the tablet slightly forward first, and then pull the tablet straight up to remove it.

Specification

Dimension		280.83 x 198 x 68.41 mm
Power Input		9~36V DC In
I/O Support	Bottom	RS232 x 1, VGA x 1, LAN x 1, USB 2.0 x 2 3-Pin Terminal Block x 1 (DC 9-36V in) SMA for External GPS Antenna
	Side	USB 2.0 x 2
Mounting		75 x 75mm VESA Mount
Vibration		MIL STD. 810G, 5 ~ 500Hz, 2.24G